


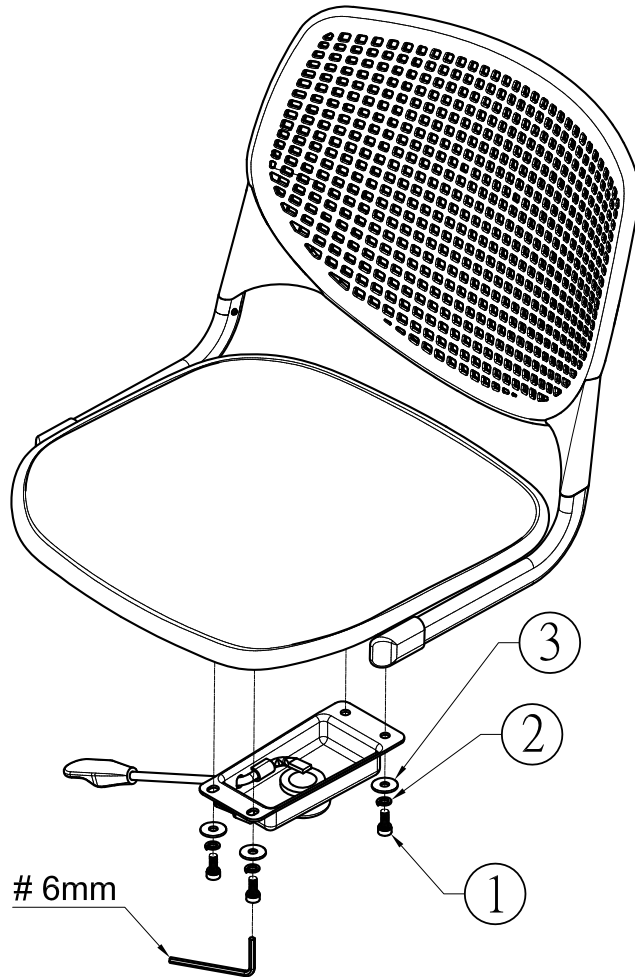


# kfi STUDIOS KOOL DS2300

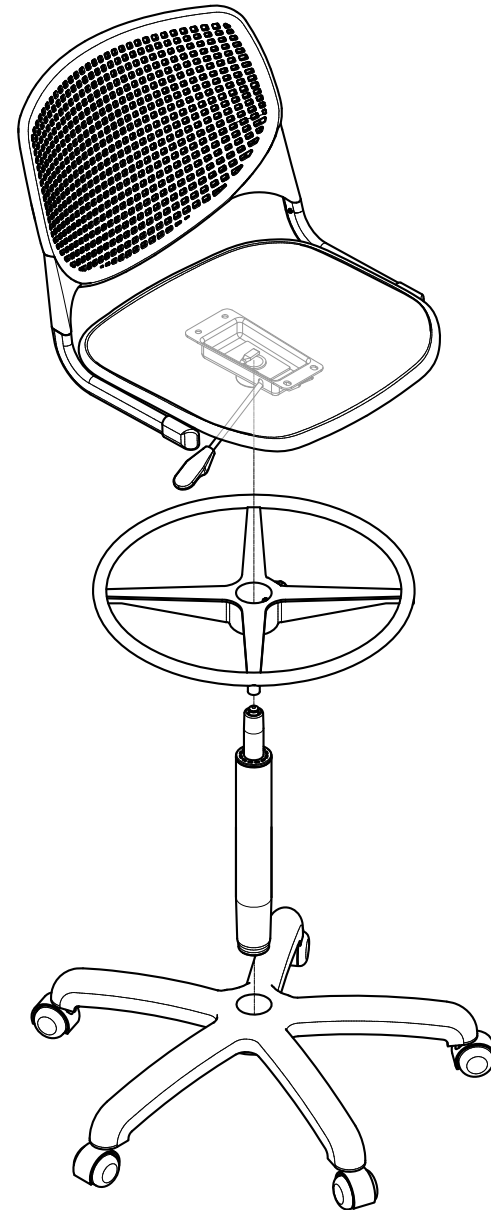
kfstudios.com  
Step 1.

Hardware		
1	2	3
		
M8x20mm x4	M8 x4	M8 x4



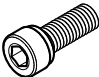


Mounting Option: KOOL OFFICE CHAIR  
Model: DS2300

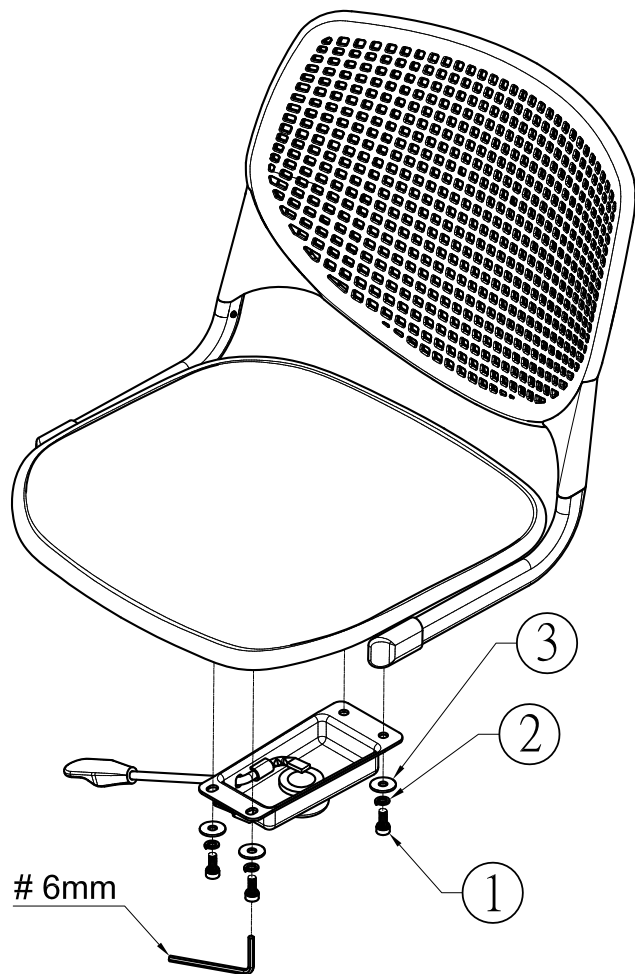
Step 2.



Mounting Option: KOOL OFFICE CHAIR  
Model: DS2300

Step 1.

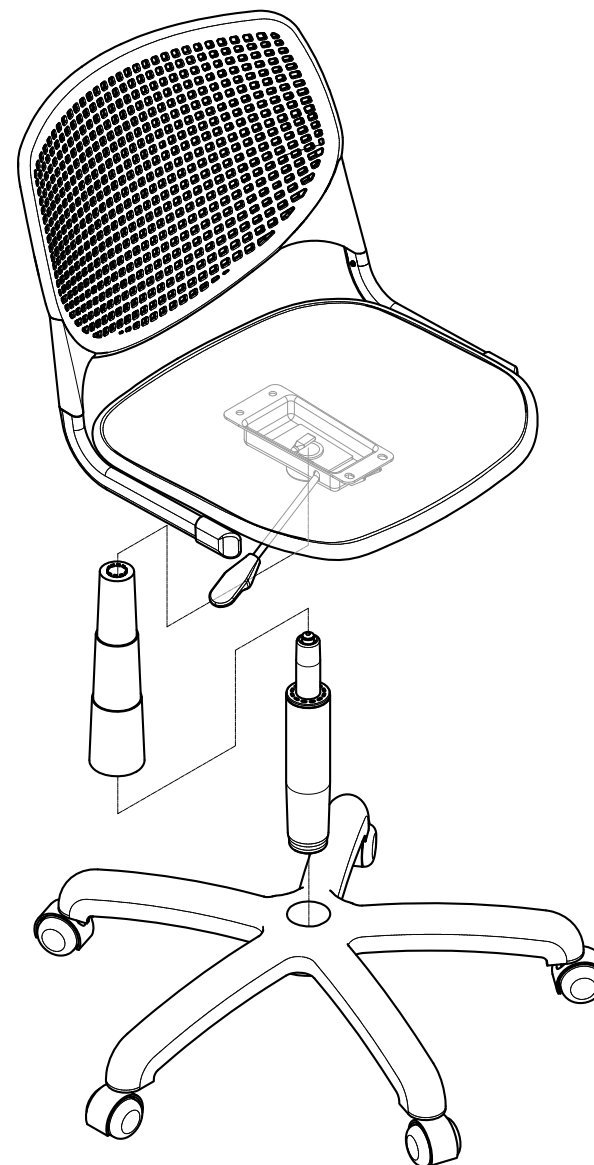
Hardware					
1		2		3	
M8x20mm	x4	M8	x4	M8	x4



Mounting Option: KOOL OFFICE CHAIR

Model: TK2300

Step 2.



Mounting Option: KOOL OFFICE CHAIR

Model: TK2300