



# NOOK

## SOLO

Construction Guide





## Nook Parts and Tools Required

---

### Nook Parts

#### SHELL

Roof  
Side (Long)  
Side (Short)  
Base  
Castors (4of)

#### DOOR [OPTIONAL]

Door (with Handle)  
Door Hinge Panel

#### REAR WALL [OPTIONAL]

Rear Wall Upper  
Rear Wall Lower (with shelf)

#### INTERIOR

Acoustic Wall Panel  
Acoustic Roof Panel (with vents)  
Seat Bracket (2of)  
Table Leg Assembly (with Fans)  
Table Leg Cupboard (with Power)  
Table Top  
Seat  
Seat Cushion  
Seat Cushion Wall

#### GENERAL

Hardware Kit

A minimum of 2 people  
required for construction

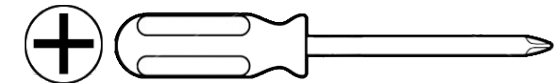


### Tools Required

Allen Key 4mm + 5mm



Phillips Screwdriver



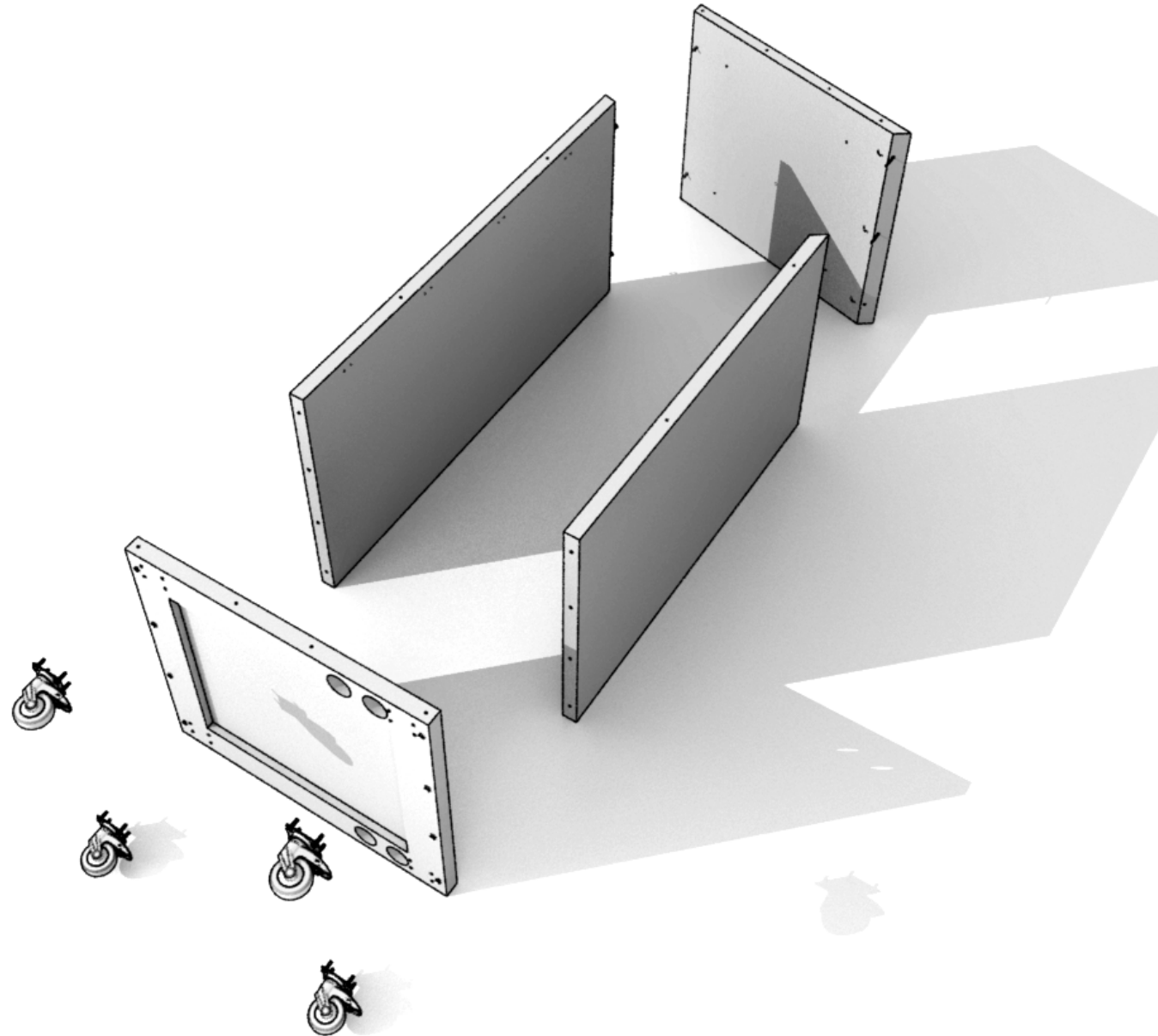
Socket Wrench & 13mm Hex Socket





## Step One Exploded View

Assemble frame and castors





## Step One

Assemble frame and castors



3x



10x



16x



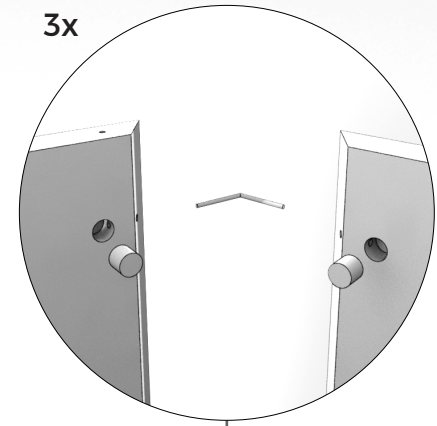
4x



10x



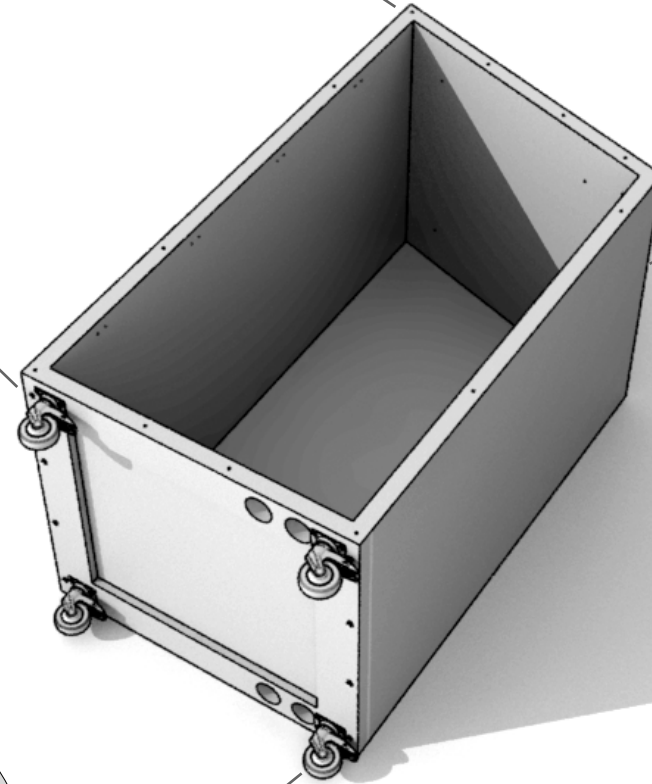
Zip Bolt  
Installation  
video



3x



4x





## Step Two

Install desk



1x



1x



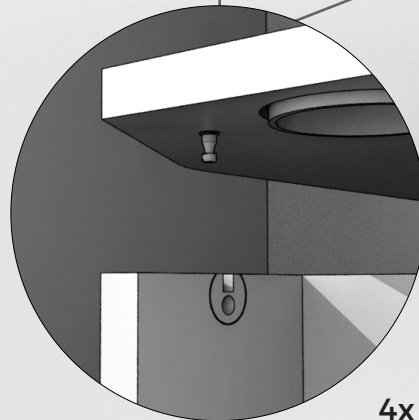
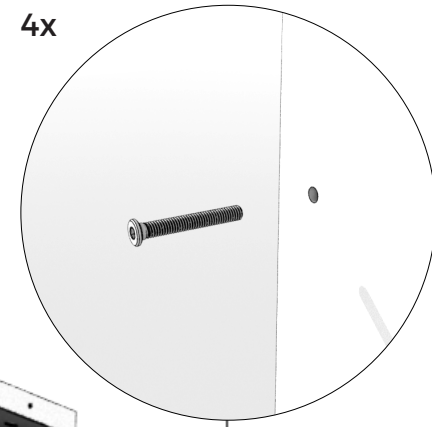
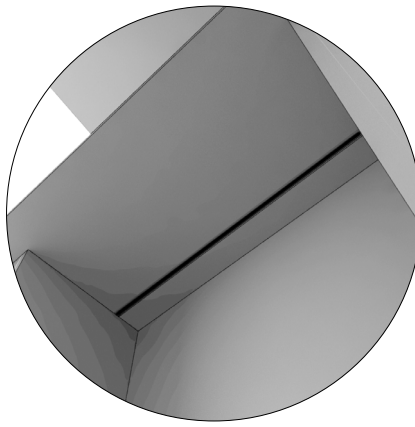
4x



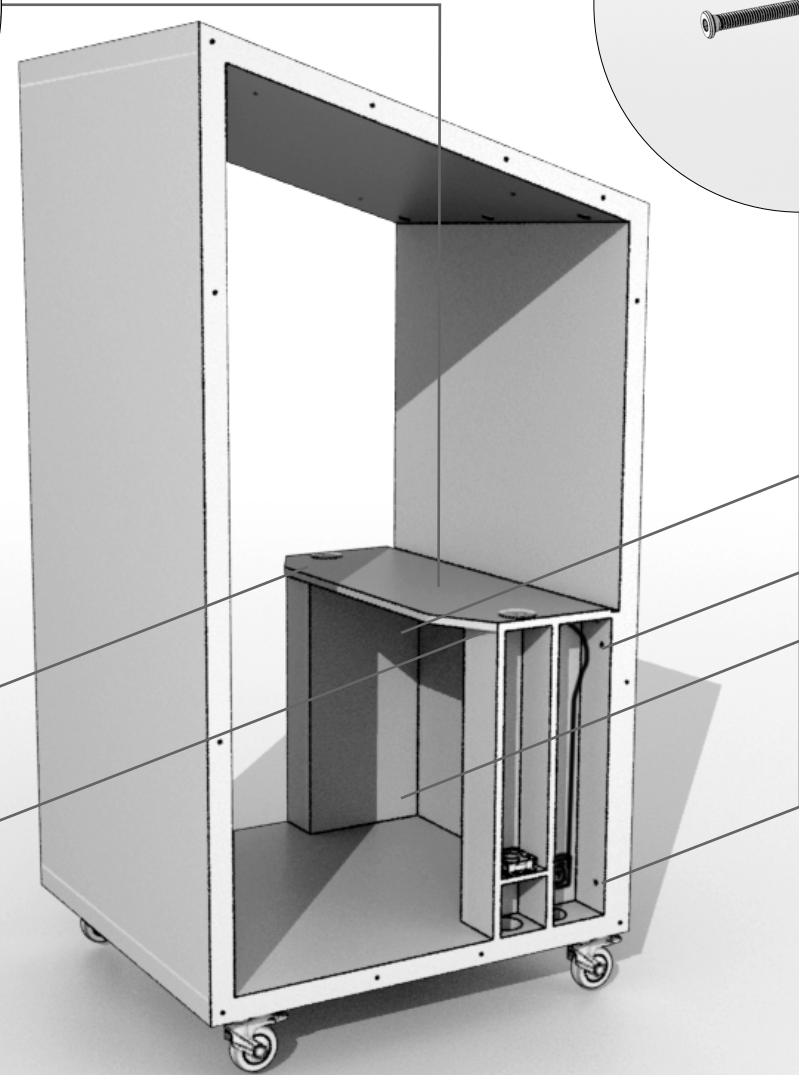
4x

Route cables under desk surface.

4x



4x



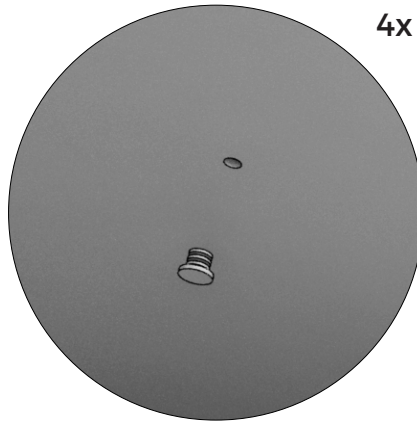


## Step Three

Install acoustic panels

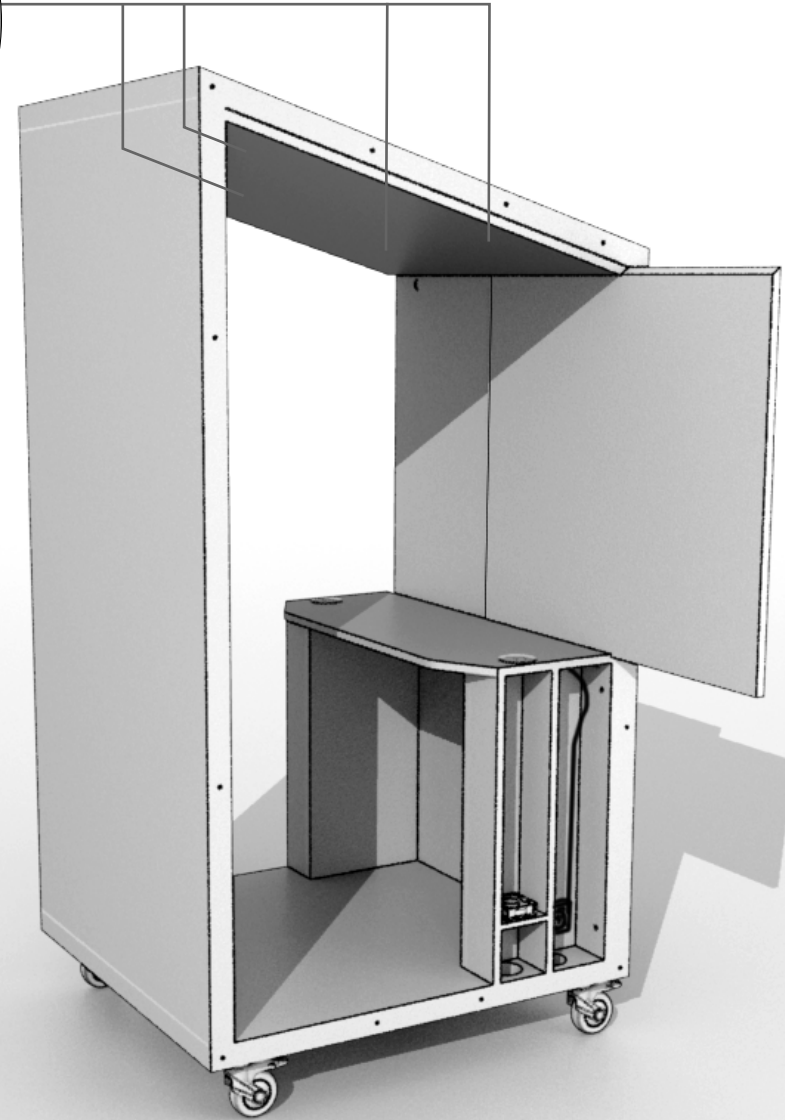


4x



4x

Install upper panel, and then slide in side panel as shown.





## Step Four

Install seat



2x



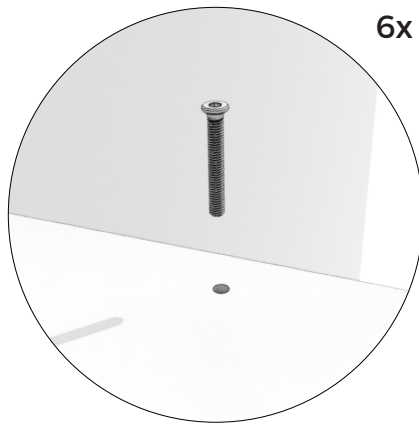
6x



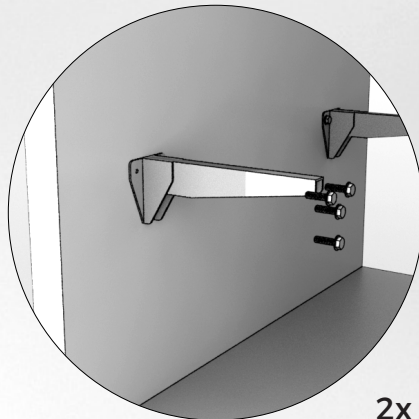
8x



6x



6x



2x



## Step Five

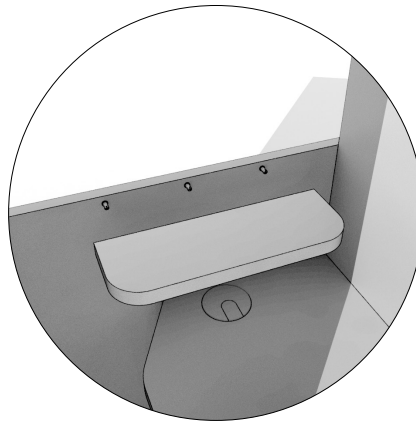
Install back panels



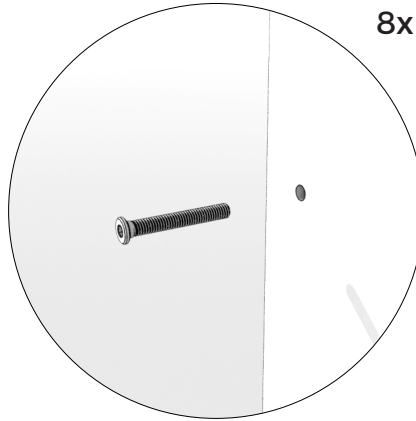
8x



3x



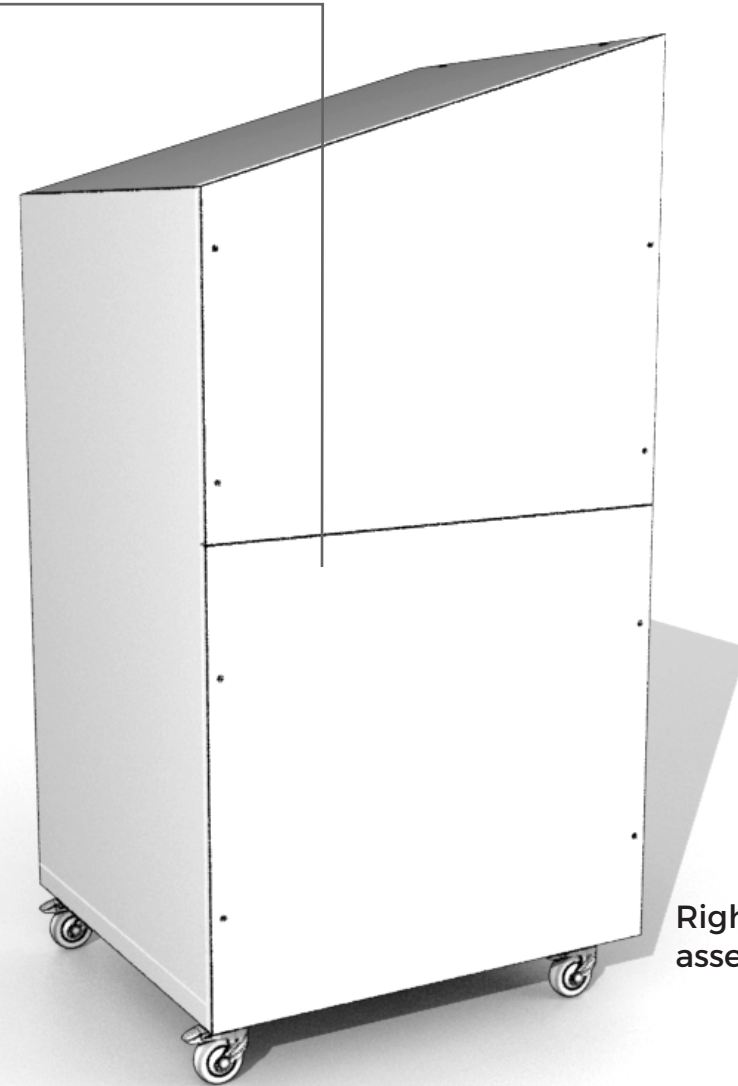
Install shelf on  
inside of lower panel  
before assembly.



8x



Reverse for left hand assembly



Right hand  
assembly shown



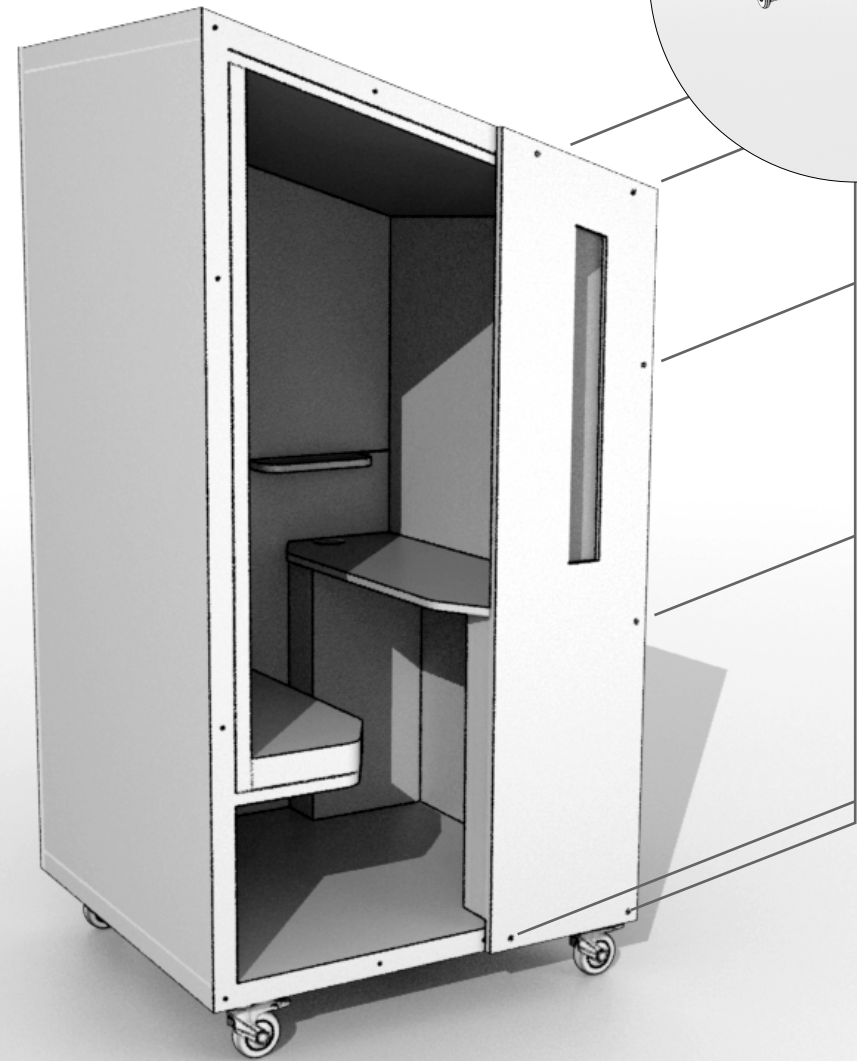


## Step Six-A

Install fixed front panel  
(if door option not chosen)



6x



6x



## Step Six-B

Install Door  
(if door option chosen)



6x



6x

