



Pendant



ETL certified



**DIMENSIONS**

Ø: 16.9"  
H: 5.6"



**MATERIAL**

Steel, Aluminum & Acrylic  
Incl. 13'1" textile cord



**WARRANTY**

10 years warranty against manufacturer defects



**WEIGHT INCL. PACKAGING**

5.5 lb



**LIGHT SOURCE**

LED panel built-in. 3000 K - 1700 lm. Energy used 22 W  
15000 H



**PACKAGING**

Gift box dimensions (W×H×D): 21.9 x 4.1 x 18"

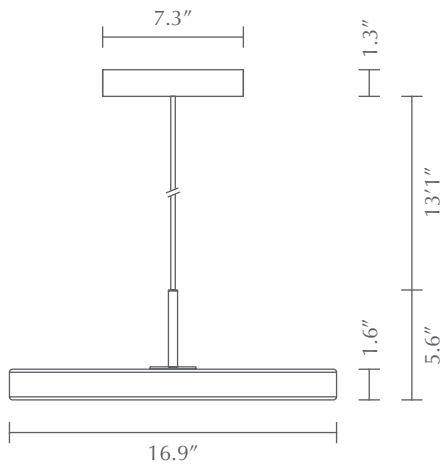


**ASSEMBLY TIME**

10 min

**Ordering Information**

Pearl White	2157
Anthracite Grey	2158
Forest Green	2159
Petrol Blue	2160
Ruby Red	2161



Color variations



**Brightness**  
1700 lumens

**Estimated Energy Cost**  
\$3.37 per year