

**CONSTRUCTION****Frame**

Solid ash wood

1.5" round legs

1.125" x 3.5" square apron

Available in Dark Oak and Light Oak

Seat and Back

8.5mm injection molded polypropylene

Secured to wood frame with four bolts

Available in Cool Grey, Black Coffee, Pale Green, Bermuda, and Moonbeam

Upholstered seat option; COM 0.5 yd per chair

Arms

8.5mm injection molded polypropylene

2.75" x 0.5"

25" arm height

Optional Upholstery

1" thick foam; 1.8# with a 60ILD density

Wrapped and stapled to seat; dust cover applied

Secured to wood frame with T-nuts

Glides

Non-marring nylon

REGULATORY

Meets ANSI/BIFMA X5.4

SUSTAINABILITY

Indoor Air Quality Gold Certified through Intertek

Wood

FSC certified

Polypropylene

5-10% pre-consumer recycled content

Foam

100% recyclable

CertiPUR-US certified- no ozone depleters, mercury, lead, formaldehyde or phthalates

Low VOC

Contains natural oil poly

Glides

5-10% pre-consumer recycled content

Hardware

10% pre-consumer recycled content

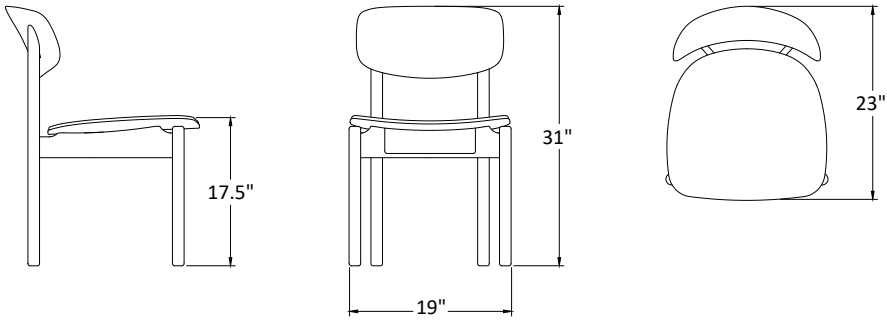
Cartons/Packaging

20% pre-consumer recycled content

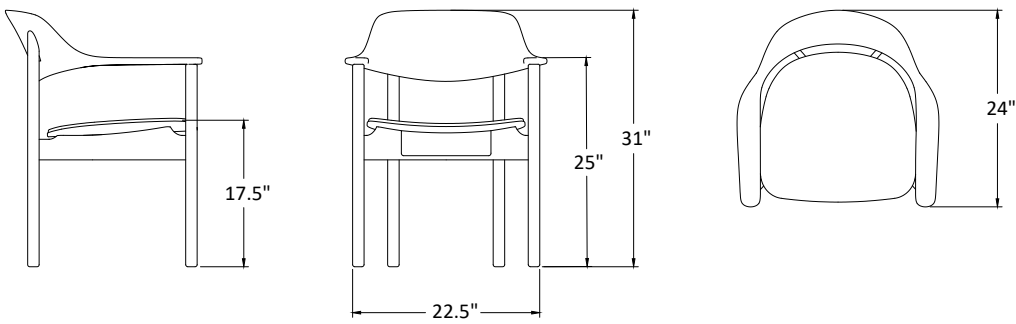
Read our full sustainability story at [kfstudios.com/Literature/Environmental](https://www.kfstudios.com/Literature/Environmental).

DIMENSIONS

Armless



Arm



*For upholstered seats, seat height is 18.5".

FINISHES

Frame



Light Oak
LO



Dark Oak
DO

Seat and Back



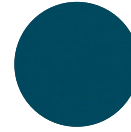
Cool Grey
P06



Black Coffee
P47



Pale Green
P49



Bermuda
P46



Moonbeam
P45

LEAD TIME

Poly seat and back | 48 hours

Upholstered seat | 2-3 weeks

TO ORDER

MODEL FRAME POLY UPHOLSTERY
 COLOR COLOR